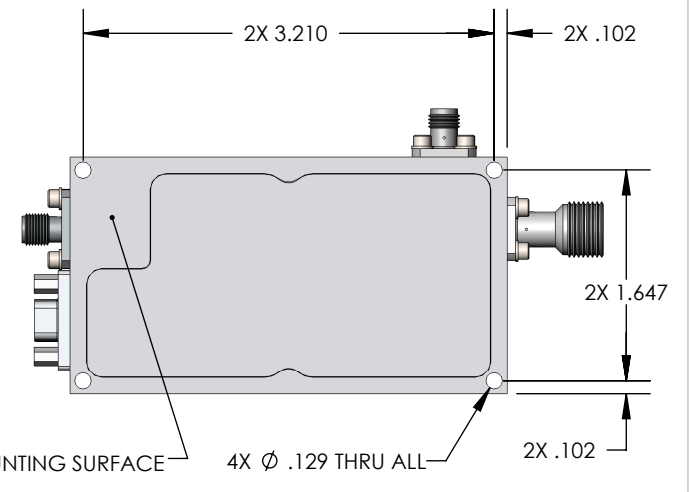
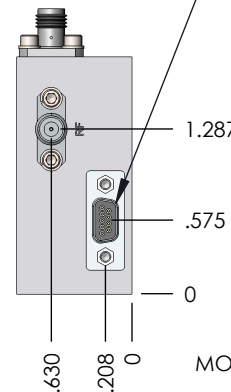


9-PIN MICRO-D PER MIL-DTL-83513/03



TYPICAL 9-PIN MICRO-D FUNCTIONS

PIN NUMBER	FUNCTION
1	DC INPUT -
2	DC INPUT -
3	DC INPUT +
4	DC INPUT +
5	BAND SELECT
6	STATUS
7	NC
8	NC
9	NC

CONNECTOR "Z" DIM

SMA-F	.38
SMA-M	.51
TNC-F	.75
TYPE N-F	.75

ALDETEC inc. 3560 Business Drive, Suite 100
Sacramento, CA 95820
(916) 453-3382

TITLE:

CWS-2 OUTLINE